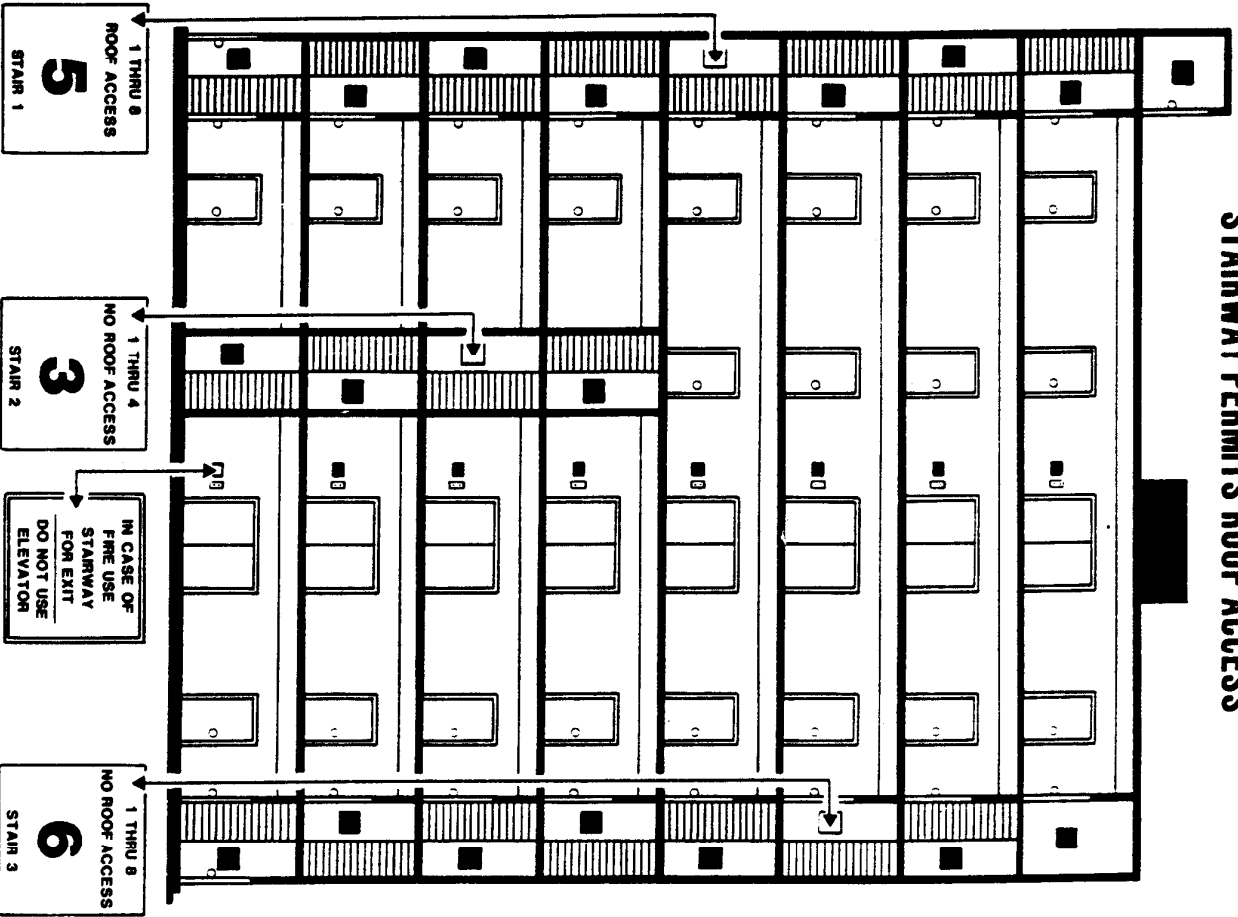
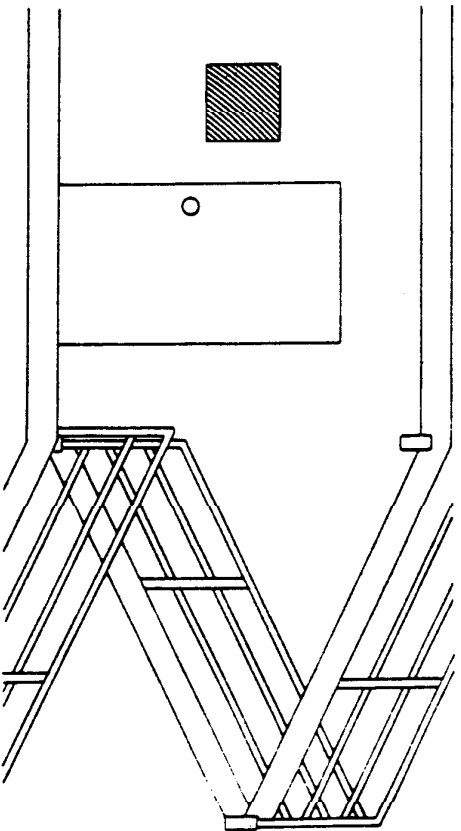


LOOK FOR STAIRWAY SIGNS -and- KNOW WHICH STAIRWAY PERMITS ROOF ACCESS



LOCATION OF SIGN IN STAIRWAY

LOS ANGELES CITY FIRE DEPARTMENT REQUIRES STAIRWAY NUMBERING SYSTEMS FOR BUILDING MORE THAN 2 STORES



1 THRU 8
ROOF ACCESS
5
STAIR 1

EXAMPLE 1
5TH FLOOR OF A STAIRWAY THAT EXTENDS FROM THE 1ST TO THE 8TH FLOOR OF AN 8 STORY BUILDING. THE STAIRWAY TERMINATES ON THE ROOF. THIS IS THE NUMBER 1 STAIRWAY IN THE BUILDING.

1 THRU 4
NO ROOF ACCESS
3
STAIR 2

EXAMPLE 2
3RD FLOOR OF A STAIRWAY THAT EXTENDS FROM THE 1ST TO THE 4TH FLOOR OF AN 8 STORY BUILDING. THIS STAIRWAY DOES NOT PERMIT ROOF ACCESS. THIS IS THE NUMBER 2 STAIRWAY IN THE BUILDING.

1 THRU 8
NO ROOF ACCESS
6
STAIR 3

EXAMPLE 3
6TH FLOOR OF A STAIRWAY THAT EXTENDS FROM THE 1ST TO THE 8TH FLOOR OF AN 8 STORY BUILDING. THIS STAIRWAY DOES NOT PERMIT ROOF ACCESS. THIS IS THE NUMBER 3 STAIRWAY IN THE BUILDING.